

Masport®

REEL MOWERS

TWIN DRIVE

400	Geotech 35
500	Geotech 35
660	Geotech 35
660C	4HP OHV Vanguard
660S	4HP OHV Vanguard
Golf	4HP OHV Vanguard

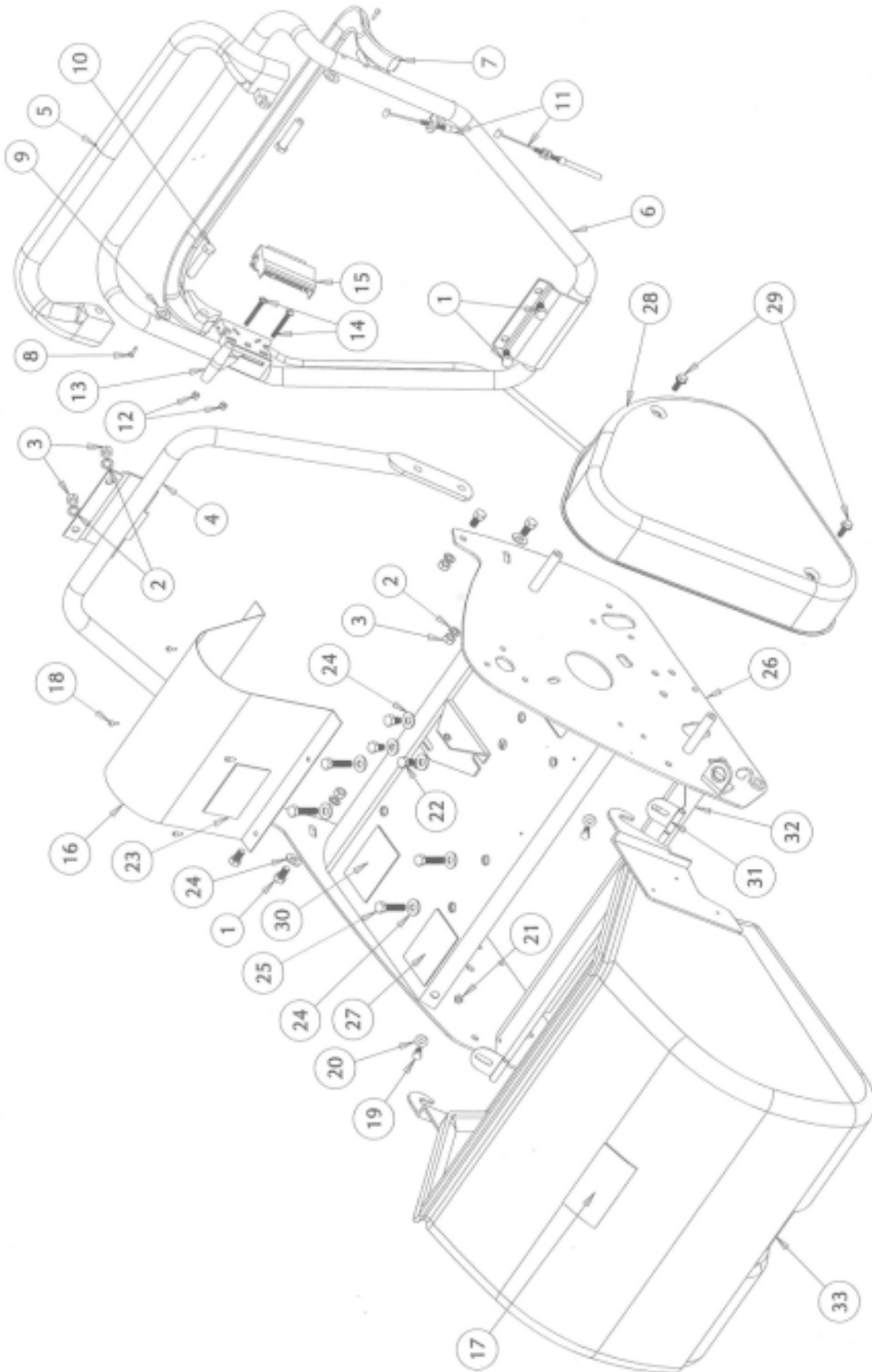




400 Powered by: Tecumseh Geotech 35
500 Powered by: Tecumseh Geotech 35
600 Powered by: Tecumseh Geotech 35
660C Powered by: Briggs & Stratton 4HP OHV Vanguard
660S Powered by: Briggs & Stratton 4HP OHV Vanguard
Golf Powered by: Briggs & Stratton 4HP OHV Vanguard

Masport®

TWIN DRIVE
400, 500, 600,
660C, 660S, GOLF



When ordering PLEASE QUOTE PART NUMBER & Description, NOT Illustration No.
Determine right or left hand side from standing in operating position (standing at handle)



400 Powered by: Tecumseh Geotech 35
500 Powered by: Tecumseh Geotech 35
600 Powered by: Tecumseh Geotech 35
660C Powered by: Briggs & Stratton 4HP OHV Vanguard
660S Powered by: Briggs & Stratton 4HP OHV Vanguard
Golf Powered by: Briggs & Stratton 4HP OHV Vanguard



TWIN DRIVE
400, 500, 600,
660C, 660S, GOLF

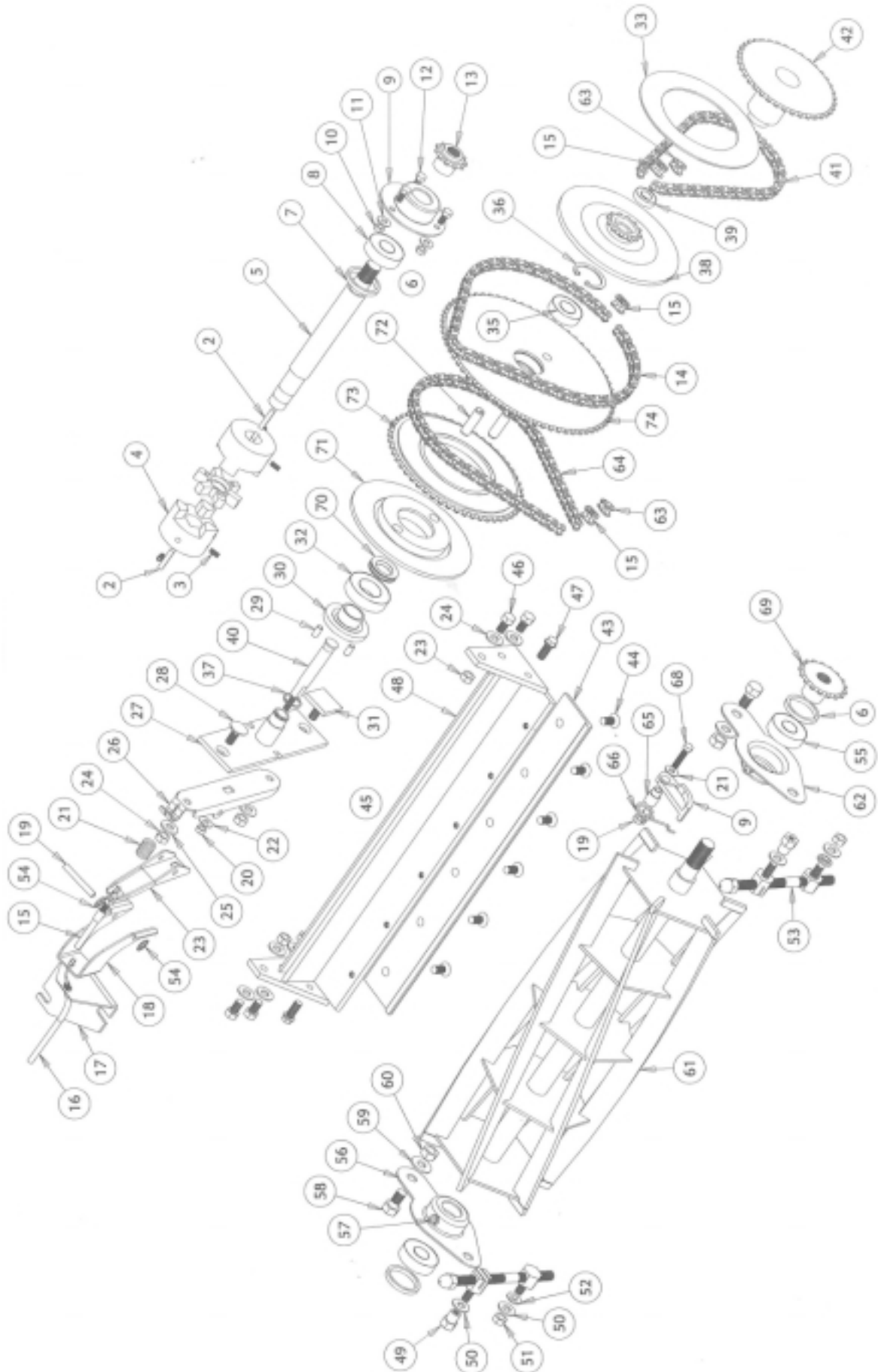
Item No	Part No	Description	Item No	Part No	Description
1	FBOPLO2	Bolt ZP M8 x 20 set screw	17b	L1670-150	Decal Model 660
2	FWAPL58	Washer spring ZP M8	18	FSCPL08	Screw ZP PHD SL T 6 x 3/8
3	FNUPLO8	Nut ZP M8	19	FBOPLO3	Bolt ZP M6 x 12 set screw
4	L1260-540	Handle Lower 400 Chrome Extended	20	FWAPL56	Washer Spring M6
4a	L1260-550	Handle Lower 500 Chrome Extended	21	FNUPLQ6	Nut M6
4b	L1260-560	Handle Lower 660 Chrome Extended	22	FBOPL18	Bolt HT ZP M8 x 16 Set Screw
5	L1050-7206	Lever Clutch Reel Upper Blk	23	L1070-145	Decal Twin Drive
6	L1050-705C	Handle Upper	24	FWAPL08	Washer Flat ZP M8 x 19 x 1.6
7	L1050-730B	Lever Clutch Reel Lower Blk	25	F80PL35	Bolt HT ZP M8 x 35 set screw
8	L0108-037	Screw Taptite M5 x 10	26	L1405-710M	Frame - 400
9	L1050-715	Washer Plastic 10 x 20 x1 Wide	26a	L1505-710M	Frame - 500
10	L1050-710Z	Boss Lever Pivot	26b	L1605-710M	Frame - 660
11	L1050-700	Cable Clutch Assy	26c	L1105-710M	Frame - 660 Sport
12	FNLPL05	Nut Nyloc ZP M5	26d	L1705-710M	Frame - Golf
13	L1050-090	Throttle Control	27	L1070-230	Decal Caution
14	FSCPL05	Screw MC ZP pan head M5 x 40	28	L1010-705M	Guard Chain
15	L1050-095	Throttle Control Cover	29	L0108-030	Screw Taptite M6 x 16
16	L1410-700M	Cover Shaft 400	30	L1070-225	Decal CE Sticker
16a	L1510-700M	Cover Shaft 500/660	31	L1010-190	Grass Thrower Tab
17	L1470-150	Decal Model 400	32	L1410-205	Grass Thrower 400 Green
17a	L1570-150	Decal Model 500	32a	L1510-205	Grass Thrower 500 Green
			32b	L1610-205	Grass Thrower 660 Green
			33	L1465-250	Catcher 400 Green
			33a	L1565-255	Catcher 500 Green
			33b	L1665-205	Catcher 660 Green



400 Powered by: Tecumseh Geotech 35
500 Powered by: Tecumseh Geotech 35
600 Powered by: Tecumseh Geotech 35
660C Powered by: Briggs & Stratton 4HP OHV Vanguard
660S Powered by: Briggs & Stratton 4HP OHV Vanguard
Golf Powered by: Briggs & Stratton 4HP OHV Vanguard

Masport®

TWIN DRIVE
400, 500, 600,
660C, 660S, GOLF



When ordering PLEASE QUOTE PART NUMBER & Description, NOT Illustration No.
Determine right or left hand side from standing in operating position (standing at handle)



400 Powered by: Tecumseh Geotech 35
 500 Powered by: Tecumseh Geotech 35
 600 Powered by: Tecumseh Geotech 35
 660C Powered by: Briggs & Stratton 4HP OHV Vanguard
 660S Powered by: Briggs & Stratton 4HP OHV Vanguard
 Golf Powered by: Briggs & Stratton 4HP OHV Vanguard

Masport®

TWIN DRIVE
400, 500, 600,
660C, 660S, GOLF

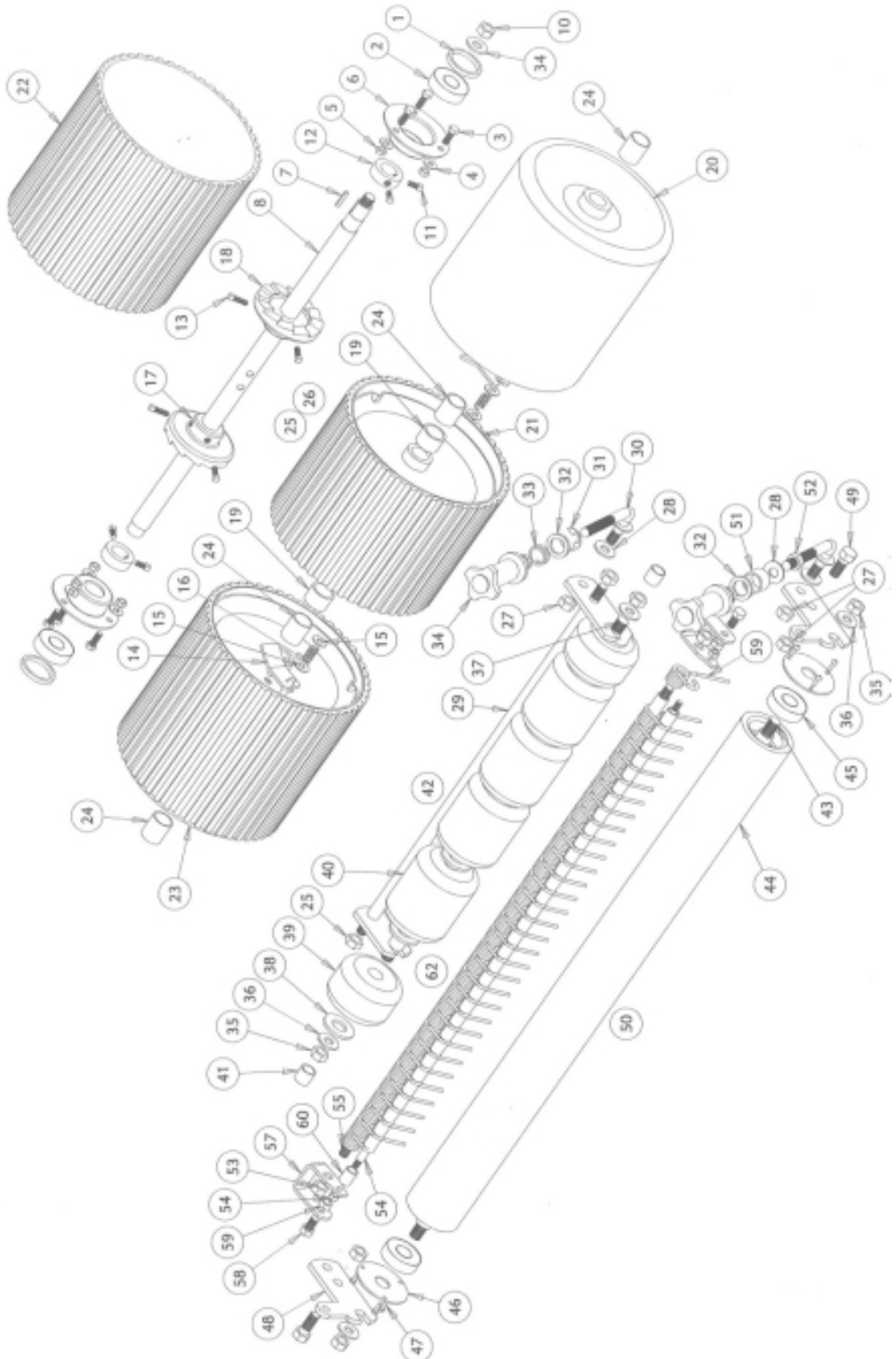
Item No	Part No	Description	Item No	Part No	Description
1	L0200-110	Engine- Tecumseh	43	L 1440-300	Bottom Blade 400
1a	L0200-120	Engine - Briggs & Stratton	43a	L 1540-300	Bottom Blade 500
2	L1015-385	Key 3/16" x 1	43b	L1640-300	Bottom Blade 660
3		Screw Grub M5 x 10 long	43c	L 1740-295	Bottom Blade Golf
4	L1015-700	Coupling Inline 3/4" x 3/4"	43d	L 1640-295	Bottom Blade 660C
5	L1415-700B	Bar Drive 400 3/4"	44	FSCPL41	Screw MC ZP CSK SLT 5/16" x 1/2"
5a	L1515-700B	Bar Drive 500/660 3/4'	45	L 1440-450	Bottom Blade 400 Assy
6	L1415-705	Bar drive Assembly 400 3/4"	45a	L1540-450	Bottom Blade Assy 500
6a	L1515-705	Bar drive Assembly 500 3/4"	45b	L1640-450	Bottom Blade Assy 660
7	L1060-120	Bearing Spacer Plastic	45c	L 1740-450	Bottom Blade Assy Golf
7a	FBRLO80	Bearing 6203-ZZ	45d	L 1640-460	Bottom Blade Assy 660C
8	FBRL070	Bearing 6203-Z	46	FBOPLO2	Bolt HT ZP M8 x 20 set screw grade 10.9
9	L1060-145	Bearing Housing	47	L0108-039	Screw Taptite
10	FNUPL06	Nut M6	48	L1440-390	Carrier-Bottom Blade 400
11	FWAPL56	Washer Spring M6	48a	L1540-390	Carrier-Bottom Blade 500
12	FBOPL01	Bolt HT M6 x 16	48b	L 1640-390	Carrier-Bottom Blade 660
13	L1020-741	Sprocket Motor 10 Teeth	49	L 1035-240	Catcher Stud
14	L1025-725	Chain 3/8" 35 -172P Endless	50	FWAPLO8	Washer Flat ZP M8 x 19 x 1.6
15	L1025-490	Chain Con Link 3/8"	51	L0111-041	Nut Nyloc ZP Thin 5/16" UNF
16	L1050-700	Cable Clutch Assy	52	L1035-202	Reel Brg Housing Washer 5/16"
17	L1020-785B	Bracket - Cable Retainer W/A	53	L1035-290	Reel Adj Complete
18	L1020-710Z	Bracket Clutch Reel ZP	54	L0135-015	M6 Starlock push on fix
19	L1020-770Z	Pin 6 x 45 Long ZP	55	FBRI070	Bearing 6203-Z
20	FNLPL06	Nut Nyloc ZP M6	56	L1035-215	Reel Housing RHPTD
21	L1220-395	Spring	57	L1060-110	Grease Nipple 1/4 SAE Straight
22	FWAPL06	Washer flat ZP M6 x 16 x 1.2	58	L1035-230	Reel Adj Pivot Bolt
23	L1020-700Z	Lever Clutch Roller ZP	59	L1035-200	Reel Brg Housing Washer 3/8
24	FNUPL08	Nut ZP M8	60	FNIPI45	Nut Nyloc 3/8 UNF
25	FWAPL58	Washer spring ZP M8	61	L1435-400	Reel Complete 400
26	L 1020-705Z	Bracket Clutch Roller ZP	61a	L1535-400	Reel Compl 500
27	L1020-720	Plate Clutch Mount W/A	61b	L1635-400	Reel Com pi 660
28	FBOPL21	Bolt Cup HO ZP M8 x 20	61c	L1735-400	Reel Compl Golf
29	L1020-726	Pin Clutch Thrust	61d	L1135-400	Reel Compl Sport
30	L1020-725	Block Clutch Thrust	62	L1035-205	Reel Bearing Housing LH
31	L1020-765	Plate Clamp Clutch	63	L1025-480	Chain Half link 3/8"
32	FBRL130	Bearing - 025 x 047 x 12 Wide	64	L1025-720	Chain 3/8 35-1 67P Endless
33	L1020-760	Lining Clutch 2mm	65	L1025-700	Boss - Chain Tension
34			66	L1025-705	Spring-Torsion Reel
35	FBRL120	Bearing 17 x 35 x 10 6003-ZZ/2RS	67	L1025-710	Shoe-Chain Tension
36	L0135-064	Circlip Internal 035	68	FBOPLO9	Bolt HT M6 x 30
37	L0135-063	Circlip External 017	69	L1020-755	Sprocket Reel 17 Teeth
38	L1020-730	Plate Clutch Roller W/A	70	L1020-762	Spring Disc (Bissell)
39	FBRL110	Bearing 12 x 24 x 6 1901-2RS1	71	L1020-810	Plate Drive
40	L1020-715	Bar Clutch Control	72	L1020-739	Roll pin
41	L1025-716	Chain 3/8" 35-1 53P Endless	73	L1020-732	Sprocket Clutch Reel 51T
42	L1020-753	Sprocket Clutch Reel 39T	74	L1020-800	Sprocket Clutch 66 Teeth



400 Powered by: Tecumseh Geotech 35
500 Powered by: Tecumseh Geotech 35
600 Powered by: Tecumseh Geotech 35
660C Powered by: Briggs & Stratton 4HP OHV Vanguard
660S Powered by: Briggs & Stratton 4HP OHV Vanguard
Golf Powered by: Briggs & Stratton 4HP OHV Vanguard

Masport®

TWIN DRIVE
400, 500, 600,
660C, 660S, GOLF



When ordering PLEASE QUOTE PART NUMBER & Description, NOT Illustration No.
Determine right or left hand side from standing in operating position (standing at handle)



400 Powered by: Tecumseh Geotech 35
 500 Powered by: Tecumseh Geotech 35
 600 Powered by: Tecumseh Geotech 35
 660C Powered by: Briggs & Stratton 4HP OHV Vanguard
 660S Powered by: Briggs & Stratton 4HP OHV Vanguard
 Golf Powered by: Briggs & Stratton 4HP OHV Vanguard

Masport®

TWIN DRIVE
400, 500, 600,
660C, 660S, GOLF

Item No	Part No	Description	Item No	Part No	Description
1	L1060-120	Spacer-Bearing Plastic	29	L1445-300	Front Roller Brkt Assy ZP - 400
2	FBRLOBO	Bearing - 17 x 40 x 12 - 400/500	29a	L1545-300	Front Roller Brkt Assy ZP - 500
2a	FBRL070	Bearing - 17 x 40 x 12 - 660 Sport/Golf	29b	L1645-300	Front Roller Brkt Assy ZP - 660
3	FBOPLO1	Bolt - HT M6 x 16	30	L1035-230	Reel Adjustor Pivot Bolt
4	FWAPL56	Washer - Spring M6	31	L0135-025	E Clip 5/8"
5	FNUPL06	Nut M6	32	L0115-016	Washer Flat M16 x 25
6	L1060-145	Bearing Housing	33	L1045-220	Front Roller Adj Spring
7	L1030-170	Back Roller Drive Key 1/8" x 3/4"	34	L1045-240	Hand wheel Front Roller Adjustor
8	L1430-350	Back Roller Shaft - 400	35	FNLPL12	Nut Nyloc M12
8a	L1530-350	Back Roller Shaft - 500/Golf	36	FWAPL12	Washer Flat ZP M12
8b	L1630-350	Back Roller Shaft - 660/Sport	37	L1445-395	Front Roller Shaft 400 ZP
9			37a	L1545-395	Front Roller Shaft 500 ZP
10	L0110-013	Nut ZP Half M12	37b	L1645-395	Front Roller Shaft 660 ZP
11	L0107-040	Screw Sq hd Cup Point 5/16" x 3/8"	38	L0115-056	Washer Flat ZP M16 x 34" x 3.0
1 2	L1030-230	Back Roller Locking Collar	39	L1045-385	Wooden Roller 45mm
13	L0107-041	Screw Sq hd Cup Point 5/16" x 5/8"	40	L1045-390	Wooden Roller 82mm
14	L1030-290	Back Roller Pawl	41	L1545-350	Front Roller Spacer - 500
15	L0115-040	Washer Flat ZP 1/4"	42	L1445-400	Front Roller Assy - 400
16	L1030-270	Back Roller Pawl Spring	42a	L1545-400	Front Roller Assy - 500
17	L1030-250	Back Roller Ratchet RH	42b	L1645-400	Front Roller Assy Campi - 660
18	L1030-245	Back Roller Ratchet LH	43	L1145-340	Front Roller Shaft - 660
19	L1630-200	Back Roller Spacing Tube - 660	43a	L1745-340	Front Roller Shaft - Golf
20	L1430-330	Back Roller Drum - 400	44	L1145-345	Front Roller Steel Tube- 660
20a	L1730-330	Back Roller Drum - Golf	44a	L1745-345	Front Roller Steel Tube - Golf
20b	L1530-330	Back Roller Drum - 500/660	45	FBRLO80	Bearing 6203-ZZ
21	L1630-305	Back Roller Centre Drum - 660	46	L1745-335	End Cap
22	L1230-180	Sleeve Rubber Back Roller	47	FSCPLO8	Screw ZP PHD SLT 6 x 3/8"
23	L1230-302	Back Roller Drum Rubber - 400	48	L1745-200	Front Roller Bracket
23a	L1230-320	Back Roller Drum Rubber - 500/660	49	FBOPL85	Bolt Eng ZP M10 x 25
23b	L1230-305	Back Roller Centre Drum Rubber - 660	50	L1145-350	Front Roller Assy Steel - 660
24	L1730-190	Sintered Bush Golf	50a	L1745-350	Front Roller Assy Steel - Golf
25	L1430-450	Back Roller Assy - 400	51	L1745-215	Hand wheel Spacer ZP
25a	L1530-450	Back Roller Assy - 500	52	FNUPL10	Nut ZP M10
25b	L1630-450	Back Roller Assy - 660	53	L0111-046	Nut Nyloc Thin 3/8" UNF
25c	L1730-400	Back Roller Assy - Golf	54	FNLPL06	Nut Nyloc ZP M6
26	L1230-360	Back Roller Assy Rubber - 400	55	L1145-130	Turf Rake Shaft 1/2" - 660
26a	L1230-395	Back Roller Assy Rubber - 500	55a	L1745-130	Turf Rake Shaft 1/2" - Golf
26b	L1230-400	Back Roller Assy Rubber - 660	56	L1145-140	Turf Rake Shaft 5/16" - 660
27	FNLPL10	Nut Nyloc M10	56a	L1745-140	Turf Rake Shaft 5/16" - Golf
28	FWAPL10	Washer Flat M10	57	L1745-105	Turf Rake Brkt
			58	FBOPL18	Bolt HT ZP M8 x 16 Set Screw
			59	FNLPL08	Nut Nyloc ZP M8
			60	L1745-115	Turf Rake Spacer
			61	L1745-120	Turf Rake Tye
			62	L1145-150	Turf Rake Assy 660
			62a	L1745-150	Turf Rake Assy Golf